



**CENTER FOR INTERNATIONAL TRADE EXPOSITIONS AND MISSIONS**  
 Golden Shell Pavilion, Roxas Boulevard corner Sen. Gil J. Puyat Avenue  
 1300 Pasay City, Metro Manila, Philippines  
 (632) 831-2201 to 09 ext. 218 (632) 831-1368, 832-3965  
 info@citem.com.ph www.citem.com.ph



JO Number:

2024-0078

PR No.:

2024-0078

JO Date:

03/05/2024

PR Date:

02/14/2024

PAGE

**CONTRACTOR/SUPPLIER JETS TROPHY INC.**  
**ADDRESS 35 West Avenue, Brgy. Paltok, Quezon City**  
**MODE OF PROCUREMENT Small Value Procurement**

**DELIVERY TERM**  
**PAYMENT TERM**  
**PLACE OF DELIVERY**  
**DATE OF DELIVERY**

Please provide/furnish this office the requirements listed below subject to the terms and conditions contained herein. Address all correspondence to the Center for International Trade Expositions and Missions (CITEM).

DESCRIPTION	QTY/UNIT	UNIT PRICE	AMOUNT
<b>FABRICATION OF IFEX PHILIPPINES KATHA AWARDS FOR FOOD CATEGORIES</b>	<b>8 pcs</b>	<b>Php14,500.00/pc</b>	<b>Php116,000.00</b>
ENGRAVE THE FOLLOWING DETAILS (REFER TO ATTACHED TROPHY DESIGN)  <b>REAR VIEW</b> - DESIGNED BY MESSRS. WATARU SAHUMA AND JINGGOY BUENSUCESO - PRESENTED BY CITEM (LOGO)  <b>LIFE SIDE VIEW:</b> - IFEX LOGO (LEFT TOP) - KATHA LOGO (RIGHT TOP) - "CATEGORY: NAME OF COMPANY"  <b>RIGHT SIDE VIEW:</b> - 10-12 MAY 2024 - VENUE: World Trade Center Manila  NAME OF COMPANIES (WINNERS) to follow by 26 March 2024  TARGET PRODUCTION OF STEEL BARS by 26 March 2024  TEXT ENGRAVING AND ASSEMBLY by 02 April 2024  * Please see attached LAYOUT Do not detached part of the Job Order			

**TOTAL AMOUNT IN WORDS: One Hundred Sixteen Thousand Pesos      Php 116,000.00**

This order is placed subject to the following terms and conditions:

The delivery must be made only during office hours to CITEM or as may be specified. Delivery is subject to the acceptance of CITEM's duly authorized representative/official and inspection by CITEM-Management Inspection Team and/or the Commission on Audit. Rejected deliveries are to be withdrawn and/or replaced immediately. Delay in the delivery is subject to the **PENALTY** of 1/10 of 1% of the **TOTAL VALUE** of this ORDER for **EACH DAY OF DELAY**. In case the contractor/supplier does not deliver within the due date, s/he shall be considered in default and will be liable to pay **LIQUIDATED DAMAGES** in the amount of \_\_\_\_\_ of the **TOTAL AMOUNT** unless the contractor/supplier requested and CITEM granted an extension. The contractor/supplier authorizes CITEM to deduct the amount of undelivered portion and to deduct the penalty and liquidated damages from any of its receivables from CITEM. The contractor/supplier must present a Delivery Receipt and Invoice or Official Receipt with the Job Order upon delivery.

Very truly yours,

**ATTY. ANNA GRACE I. MARPURI**  
**OIC-DM, CS Department**

CONFORME:

*[Signature]*  
**CRISTIAN JERAO**  
 Name & Signature of Contractor/Supplier  
 Mar. 11, 2024  
 Date

BUR No. IFEX-24030281

DATE MARCH 07, 2024

AMOUNT **Php116,000.00**

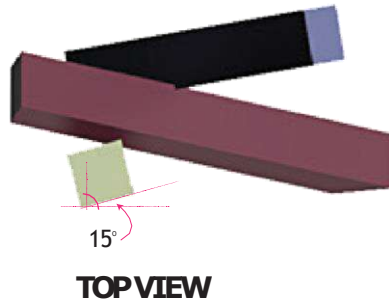
Funds Available:  
*[Signature]*  
**MALERNA C. BUTAO**  
 Chief, Controllership Division

Recommended by:

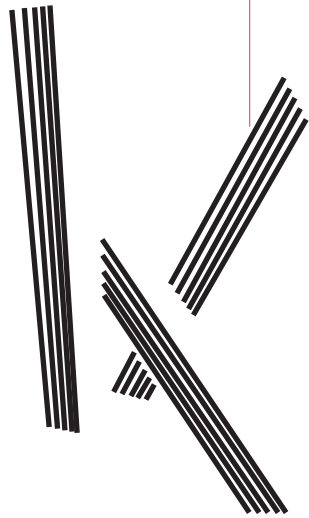
Approved by:  
*[Signature]*  
**ROWENA D. MENDOZA**  
 OIC-DM, OG 2

# For “Dummy Trophy”

Kindly note that the colors (red, blue and yellow) indicated here are for reference purposes only. The actual finish of the product will be the same as shown in the jpeg images provided.



Stripes are etched to the trophy



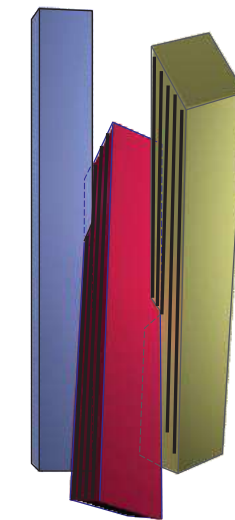
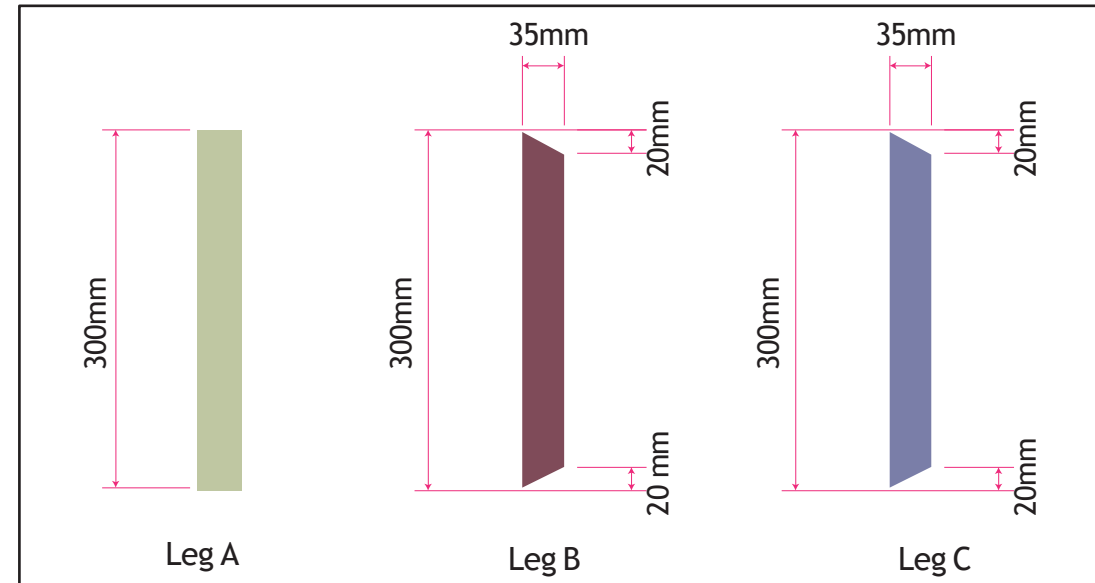
**FRONT VIEW**



side etch for name of company (winner)

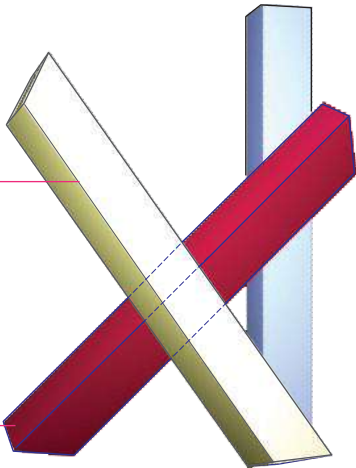
under the base, designer names are etched

**LEFT SIDE VIEW**



**RIGHT SIDE VIEW**

etch for  
award category



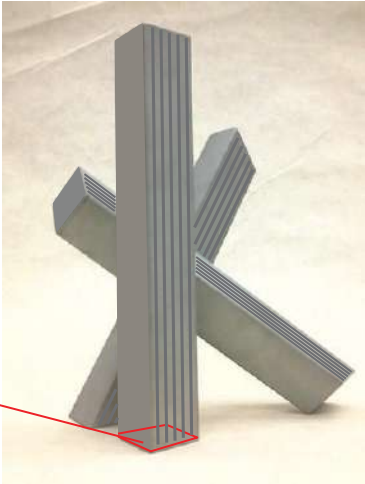
Date and venue on  
lower rear of maroon  
beam - etch for:  
**IFEX Philippines**  
10-12 **May 2024**  
**Venue: TBA,**  
**Philippines**

**REAR VIEW**



**MATERIAL:**  
Stainless steel hollow  
Tubing schedule 20;  
sandblasted grey;  
with matte clear  
top coat finish.

Jinggoy Buensuceso  
Wataru Sakuma  
Designed by



Jinggoy Buensuceso  
Wataru Sakuma  
Designed by

to be laser etched on the bottom of  
the tablet

LOGOS:

